

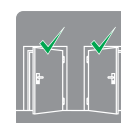
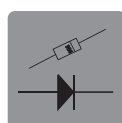
# Series 77

## Electric lock Anti-Pressure

In the 77 Series ZKTeco features a door lock intended to be fitted to safety and emergency doors. Its internal construction allows unlocking under pressures of up to 450 kg, according to certificate NF\_S\_61-937 with number CET0100362. It is also certified EN 14846. Additionally, it incorporates a diode that prevents electronic interference and extends the life of the coil.



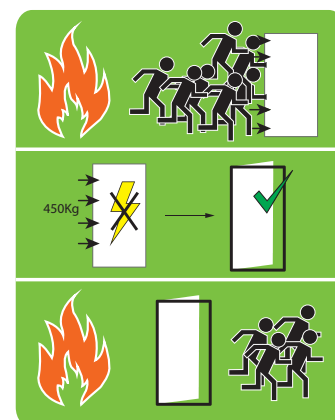
**HI-TECH**



- Opening with a resistance pressure of up to 450 kg
- High security installations
- Integrated diode
- Pressure resistance certification
- Certification 14846 for emergency doors
- Non Reversible

Emergency situations where often, pressure is exerted on the door which can complicate or impide the opening.

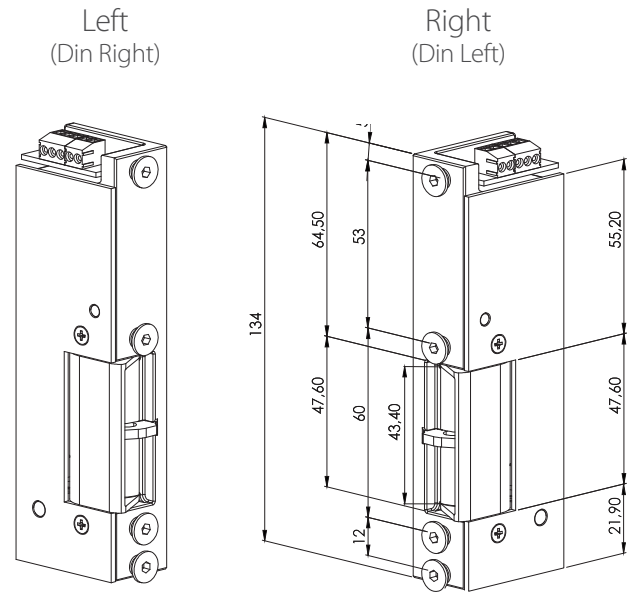
	12 VDC (512)	24 VDC (524)
Rated Resistance ( $\Omega$ )	37	150
AC Current Consumption (mA)		
Stabilized DC Current Consumption (mA)	320 (12V)	160 (24V)
Continuously Operating Voltage Range In VDC (V)	11-13 V 300-350	23-25 V 150-170
Max. Latch Preload AC (N)	-	-
Max. Latch Preload DC (N)	4500	4500



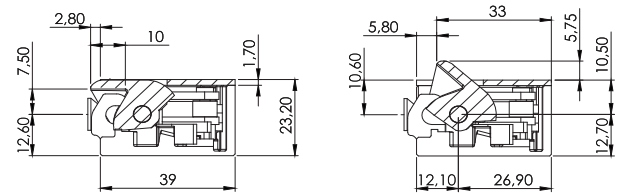
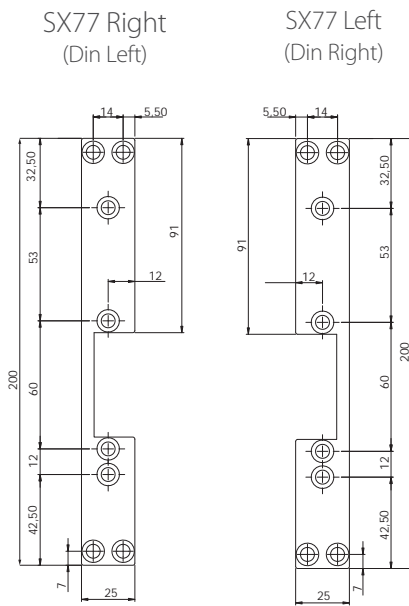
# Technical Features

Height	134 mm
Width	39 mm
Depth	23,2 mm
Adjustable Jaw Range	2 mm
Suits Latches With Maximum Throw Of	10 mm
Endurance Cycles Test In-plant	500.000
Holding Force	7.350 N / 750 kg-f
Operating Temperature Range	-15 °C to +40 °C
Diode Or Varistor	Standard
Microswitch	Optional

# Casing



# Recommended striking plate



■ Stainless steel

NORMAL      STANDARD AUTOMATIC      INVISIBLE AUTOMATIC      TIMED AUTOMATIC      SLIDING AUTOMATIC      INVERTED      SWITCHED      UNBLOCKING      ADJUSTABLE \*      WORKING VOLTAGE

7713R24	✓	✓	24V DC
7713L24	✓	✓	24V DC
7734R24	✓	✓	24V DC
7734L24	✓	✓	24V DC

\* By regulating screws in latch