

inPulse

Finger Vein

Standalone Access Control Terminal



inPulse is an IP-based finger vein access control terminal that works as a standalone device or connected to a third party access control panel using Wiegand interface. With patented vein recognition technology, inPulse is able to identify fake or dry fingers, and providing excellent performance under strong sunlight.

Features



Modern Design & Interactive UI



High Security Finger Vein Recognition



Multiple Verification Modes:
Finger Vein / Card / Password



Simple Management & Scalability



TFT-LCD Color Touch Screen



Specifications (G: GL Exclusive Feature)

Capacity

- G Finger Veins 1,500
- Cards 2,000
- Transactions 100,000

Communication

- G TCP/IP
- USB Host
- Wiegand Input / Output
- Security Relay Box

Access Control Interface

- Lock Relay Output
- Alarm Output / Auxiliary Input
- Exit Button / Door Sensor
- Doorbell Output

Hardware

- G 1.2GHz High Speed CPU
- G Memory 128MB RAM / 256MB Flash
- G 2.8 Inches TFT-LCD Touch Screen
- 125KHz EM Reader / Mifare (Optional)
- Hi-Fi Voice & Indicator
- Tamper Switch Alarm

Standard Functions

- Access Levels / Groups / Holidays
- DST / Bell Schedule
- Duress Mode (Password)
- Anti-Passback
- Record Query
- Custom Wallpaper & Screen Saver

Special Functions

- G Multiple Verification Modes
- ZK Encrypted Card (Optional)

Compatibility

- Wiegand Slave Reader
- ZKBioSecurity Software

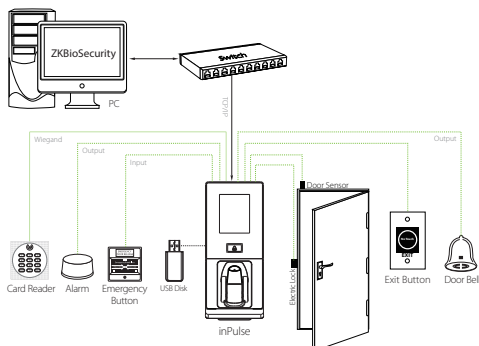
Additional Info

- Working Temperature: -10 °C ~ 50 °C
- Dimensions: 201.7 × 85 × 102.7 mm
- ZKVein v3.0 Algorithm
- Finger Vein: FAR≤0.0001% FRR≤0.01%
- Package Includes 12V 3A Power Supply

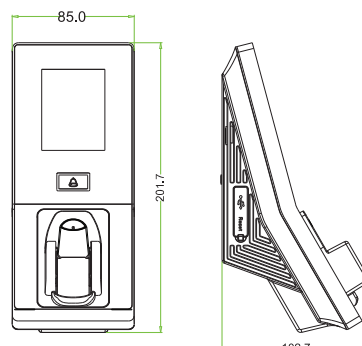
Power

- Operating Voltage 12V DC
- Current Draw < 500mA

Configuration



Dimensions (mm)



ZKTeco Europe
www.zkteco.eu
E-mail: sales@zkteco.eu



© Copyright 2016, ZKTeco Inc. ZKTeco Logo is a registered trademark of ZKTeco or a related company. All other product and company names mentioned are used for identification purposes only and may be the trademarks of their respective owners. All specifications are subject to change without notice. All rights reserved.