

MultiBio 800

Multi-biometric Access Control and Time Attendance Terminal



MultiBio 800 is a time attendance and access control terminal for face and fingerprint verification. Using ZK latest ZKFACE 7.0 high-speed face recognition algorithm, it has extremely high verification speed and low error rate, and is able to effectively prevent duplicated registration.

With its high-resolution infrared night vision light and professional color duo camera, the terminal can carry out quick verification in any environment. What is more, it supports face, fingerprint, user ID, password, RFID card and various combination methods, in order to satisfy the demands of different users. Moreover, the TCP/IP communication supports connection across internet segments. Its auxiliary input function can be used for linking to Fire Alarm.

Features

- 2.8-inch color display with graphical UI for easy operation
- Effectively prevent duplicated face registration
- Multiple Verification Modes: Multi-verification methods (card is optional) providing user various choices
- Full Access Control Features: Anti-passback, access control interface for 3rd party electric lock, door sensor, exit button, alarm and doorbell
- Good Performance in Dark Environment, Infrared optical system enables machine to work well at night
- Built-in auxiliary input with enhanced flexibility to link with wired detector or emergency switch

Specifications

Display	2.8 inch TFT LCD Color Screen
Face Capacity	400 Face
Fingerprint Capacity	1000 Templates
Card Capacity	1000 EM or Optional Mifare card
Transaction Capacity	100,000 Transactions
Algorithm Version	ZKFinger VX10.0 & ZKFace VX7.0
Communication	RS485, TCP/IP, USB-host
Access Control Interface	3rd Party Electric Lock, Door Sensor, Exit Button, Alarm, Doorbell, Wiegand In/Out
Aux. Input	1ea for linkage function
Standard Function	DST, Automatic Status Switch, Anti-passback, Scheduled-Bell, PhotoID
Power Supply	12V DC,3A
Operating Temperature	0 °C- 45 °C
Operating Humidity	20%-80%
SDK	Standalone SDK
Software	ZKAccess3.5

Optional Accessories



Exit Button



FR1200



Electric Lock



Alarm

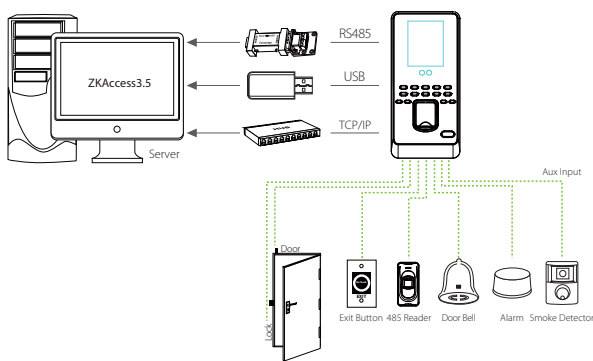


Sensor

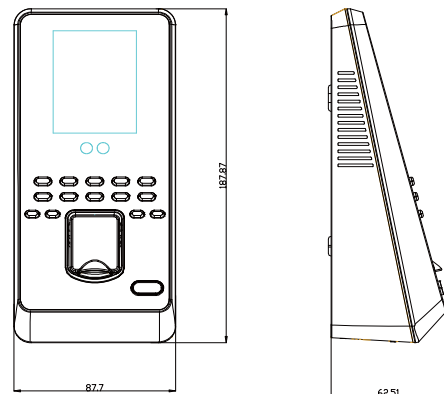


RFID Reader

Configuration



Dimensions (mm)



ZKTeco Europe.

Av. Camino de lo Cortao, 10. Nave 1.
28703 San Sebastián de los Reyes. Madrid. SPAIN
Tel: +34 916 532 891 E-mail: sales@zkteco.eu
www.zkteco.eu

© Copyright 2016. ZKTeco Inc. ZKTeco Logo is a registered trademark of ZKTeco or a related company. All other product and company names mentioned are used for identification purposes only and may be the trademarks of their respective owners. All specifications are subject to change without notice. All rights reserved.

